



Fucoli - Somepal
FUNDIÇÃO DE FERRO, S.A.





Component	Material
Cover, frame and lock	Ductil iron (EN-GJS-500)
Elastic seating anti-noise	PVC flexible
Coating	Bitumen water based black painting, non-toxic and non-polluting



**Product certified by
Certif according to
EN 124:1995
(class D400)**



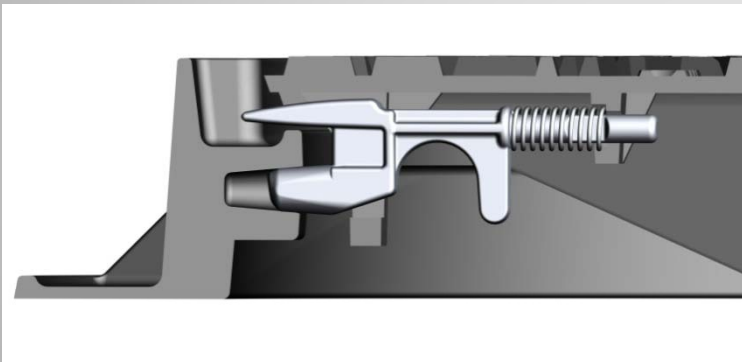
PVC flexible elastic seating which assures the perfectly fitting of the cover on the frame and also gives stability and silent operating even in high traffic intensity highways.



(closing system detail)

Hinge system with simply opening of the manhole at 120°.

The fitting and the removing of the cover on the frame can be made moving the cover to 90°.



Innovating conical closing system, which allows:

- The gradual adjustment of the lock to the box frame;
- Absence of noise;
- The cover can be opened by the inside of the manhole, in case of accidental closure, by the worker;
- The cover don't open with manhole flooding (without human intervention);
- The lock can be easily replaced, since that it's an independent piece.

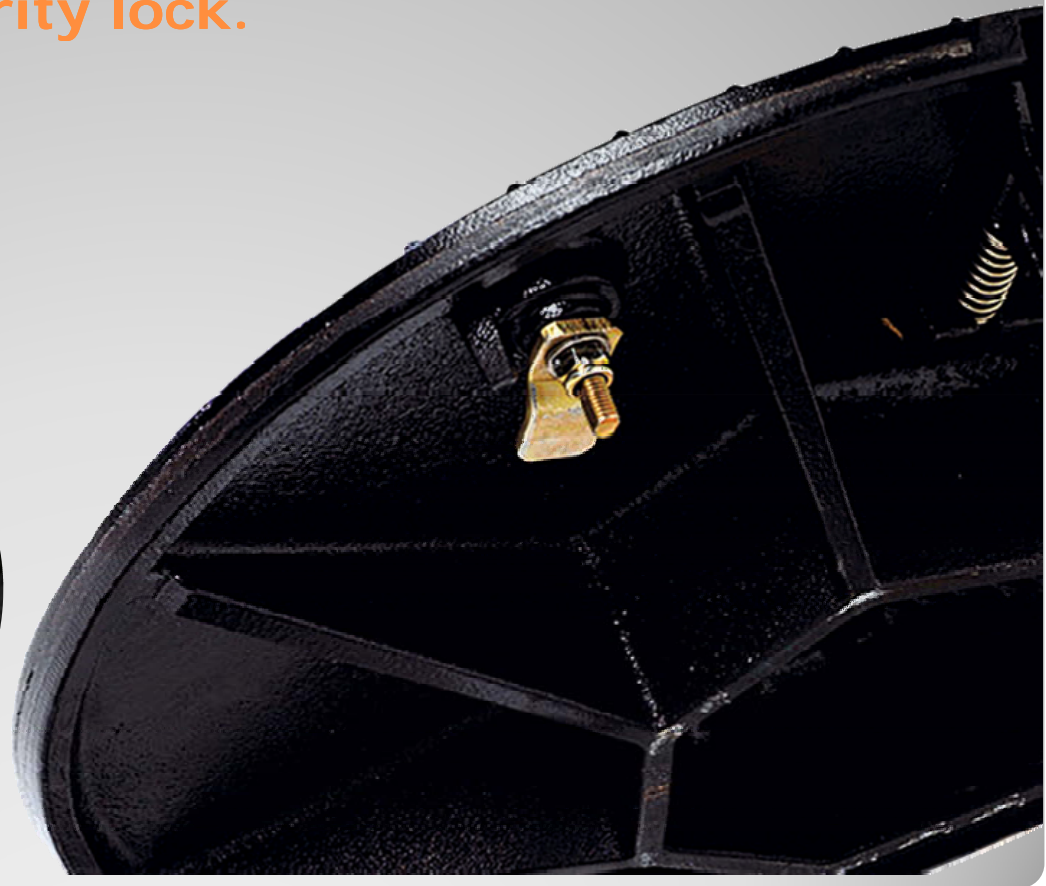


Fucoli - Somepal
FUNDAÇÃO DE FERRO. S.A.

Manhole cover with hinge, conical closing system and elastic seating anti-noise

Additional security lock:

By solicitation we can provide manhole covers with additional security lock.



Fucoli - Somepal
FUNDAÇÃO DE FERRO, S.A.

Manhole cover with hinge, conical closing system and elastic seating anti-noise